

# RHAD RHADG

Imperial Spherical Bearings, High angle  
Chamfered or Grooved, Self lubricating

**Outer race**

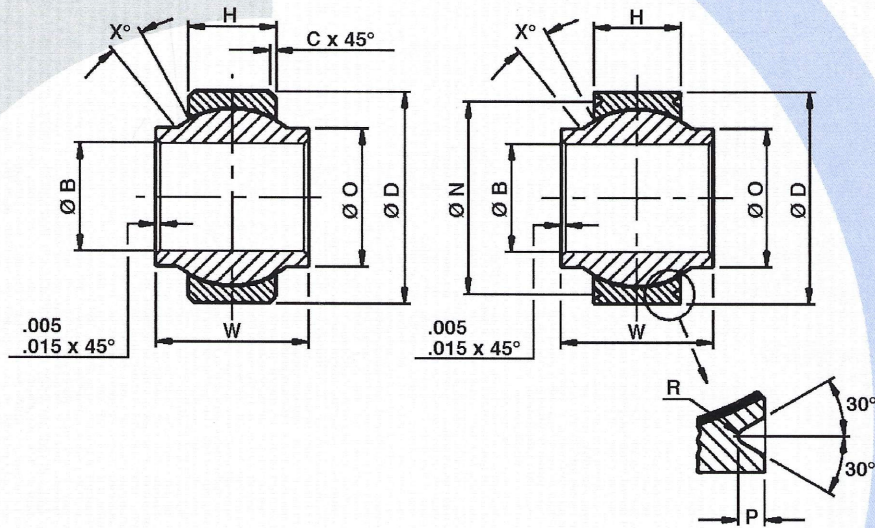
Corrosion resistant steel  
AMS 5643. H1150

**Ball**

Corrosion resistant steel  
AMS 5630. Rc 55 to 62

**Liner**

Rose 'D' type enriched  
long life liner qualified  
to Mil-B-81820



Chamfered series RHAD

Grooved series RHADG

For tight fit add suffix 'TF' to part no. Eg. RHAD06TF

Rose part no	B	D	W	H	O	C	N	P	R	X	Max static radial load	Max dyn radial load	Weight
	Bore dia	Race O/dia	Ball width	Race width	Shoulder dia	Race Chamfer	Groove PCD	Groove depth	Groove root radius	Angle	lbf	lbf	lb
RHAD RHADG	+0.000 -0.005	+0.000 -0.005	+0.000 -0.005	+0.005 -0.005	Ref	+0.005 -0.005	+0.000 -0.008	+0.000 -0.010		deg			
04	.2500	.7400	.593	.255	.380	.017	.680	.030	.005/.015	24	8698	3800	.036
05A	.3125	.6875	.625	.255	.420	.017	.627	.030	.005/.015	20	8698	3800	.025
05	.3125	.9060	.813	.345	.500	.027	.808	.040	.010/.020	23	16210	7200	.068
06	.3750	.9060	.813	.345	.500	.027	.808	.040	.010/.020	23	16210	7200	.068
07	.4375	1.0000	.875	.345	.600	.027	.902	.040	.010/.020	22	18235	8100	.095
08	.5000	1.1250	.937	.401	.669	.027	1.027	.040	.010/.020	20	25120	10900	.159
10	.6250	1.3750	1.200	.567	.844	.027	1.277	.040	.010/.020	20	46079	20000	.245
12	.7500	1.5625	1.280	.620	.950	.039	1.440	.060	.010/.020	18	55240	24200	.315
14	.8750	1.7500	1.400	.625	1.110	.039	1.628	.060	.010/.020	18	62392	27600	.430
16	1.000	2.1250	1.875	.835	1.260	.039	2.003	.060	.010/.020	21	105990	49560	.810

Dimensions in inches

No load rotational breakout torque			
Bore size	Normal fit lbf.in	Bore size	Tight fit lbf.in
04	.25 to 5.0	04 to 06	3.0 to 8.0
05 to 12	.25 to 8.0	07 to 12	4.0 to 10.0
14 & 16	.25 to 12.0	14 & 16	6.0 to 12.0

For other sizes and options please contact Rose Bearings.

For installation details see Technical Data Sheet 5.

Max. static loads quoted are subject to suitable shaft materials.

Please consult Rose Bearings for availability of bearings in this series.

Rose Bearings operates a policy of continual improvement, and therefore reserves the right to revise specifications without notice.

**Rose Bearings Ltd - Doddington Road, Lincoln LN6 3RA UK TEL: 01522 500933 FAX: 01522 696485**